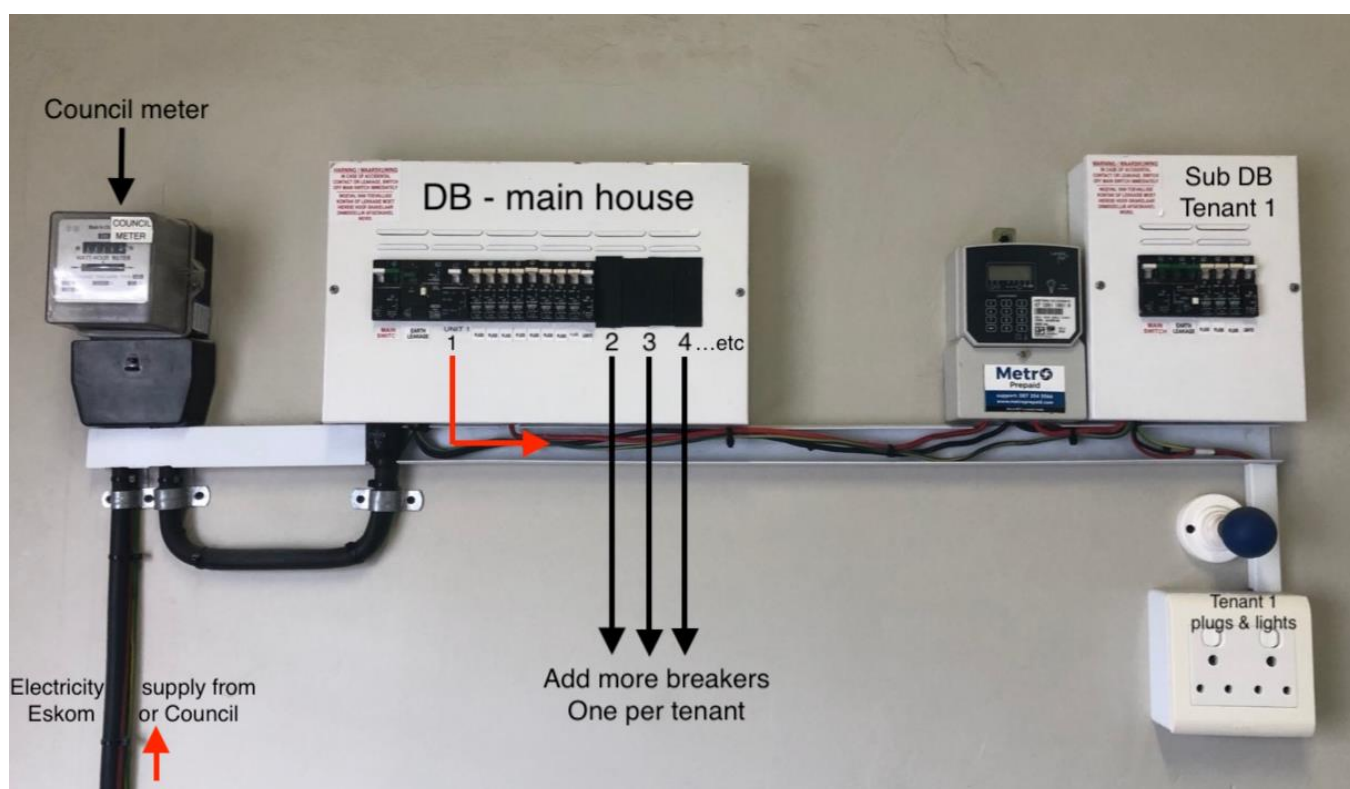


Electricity meter – Installation guidelines

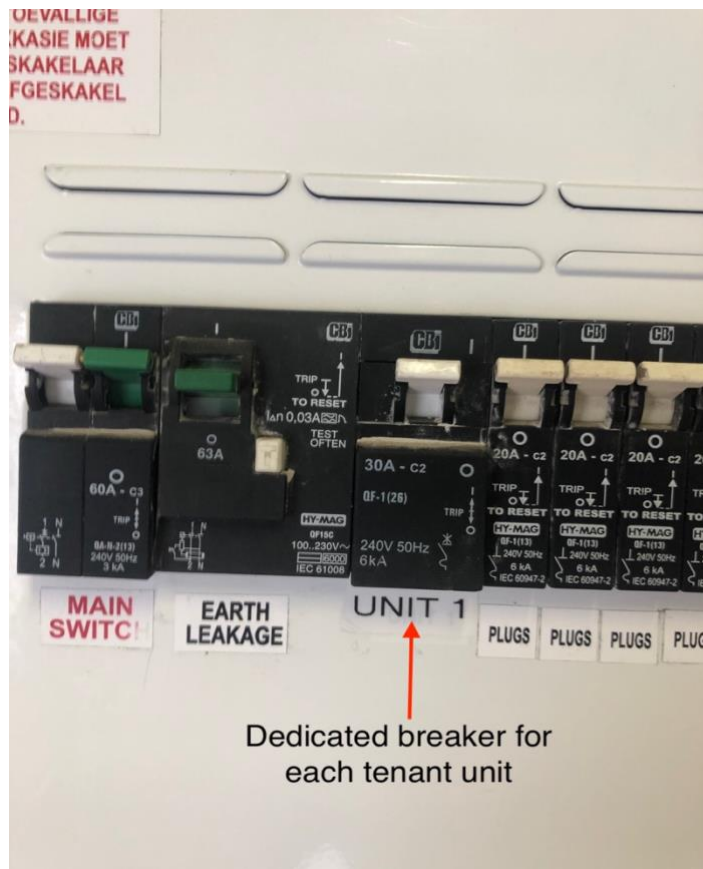
1. Installation overview – single tenant



2. Detailed installation – single tenants (plus 3 more tenants)



3. Detailed view – main house DB



4. Detailed view – tenant distribution board (DB)

